

ATKOMATIC

HS Series

Bronze, Pilot-piston, Pressure 5 to 125 psig (0.4 to 9 bar)
Steam or Hot Water Value



Features

- Pressures to 125 psig (9 bar) saturated steam temperature of 352° F (178° C)
- Pipe sizes from ¼" through 1½" (British BSPT ports available)
- Full ported valves: Cv from 1.4 to 21
- Pilot operated: require a minimum pressure differential of 5 psig (0.4 bar)
- Bronze valve material (naval M Bronze)
- Metal to metal pilot seat, PTFE piston seat and PTFE body o-ring seal
- Class H coil is standard
- Treated 416 stainless steel plunger material for increased corrosion resistance
- No other options available

Operational Pressures (5 psid minimum pressure differential)

LIQUIDS TO 40 SUS		STEAM	
AC	DC	AC	DC
125	125	125	125

Circle Seal Controls

2301 Wardlow Circle • P.O. Box 3300 • Corona, CA 92880

Phone (951) 270-6200 Fax (951) 270-6201

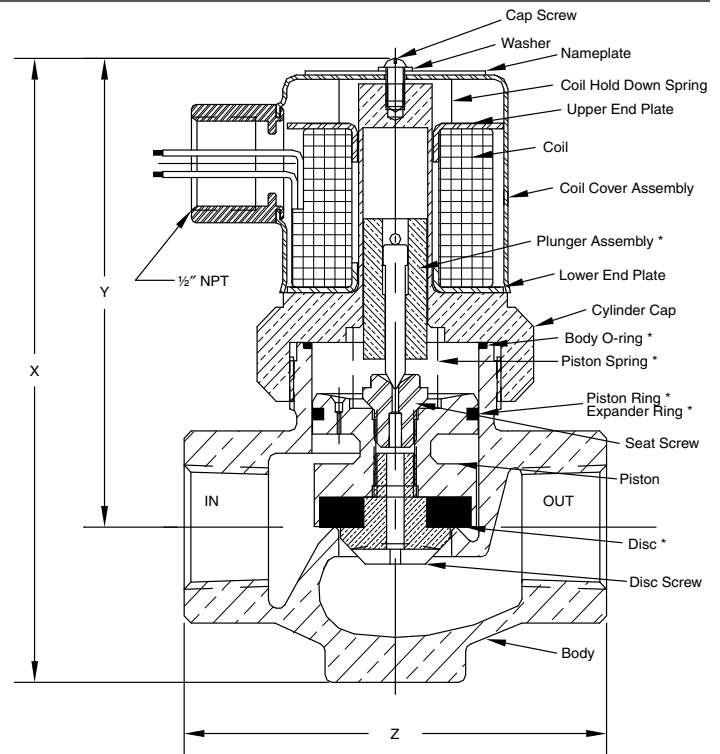
www.circlesealcontrols.com • am_sales@circlesealcontrols.com • ind_sales@circlesealcontrols.com

atkomatic solenoid

HS Series

Dimensions, Shipping Weights, and Cv Flow Factors

CATALOG NUM. PREFIX	PIPE SIZE	MAIN SEAT ORIFICE DIA.	X	Y	Z	SHIPPING WEIGHT (lbs)	Cv
HS200	1/4"	1/2"	4 3/4"	3 7/8"	2 1/16"	3	1.4
HS300	3/8"	1/2"	4 3/4"	3 7/8"	2 1/16"	3	2.7
HS400	1/2"	1/2"	4 3/4"	3 7/8"	3"	4	3.5
HS500	3/4"	1"	5 1/4"	4"	3 3/4"	5	7.5
HS600	1"	1"	5 1/4"	4"	3 3/4"	5	9.1
HS700	1 1/4"	1 1/2"	7"	5 1/8"	5 1/16"	13	19.5
HS800	1 1/2"	1 1/2"	7"	5 1/8"	5 1/16"	13	21.0



* Repair kit parts

How to Order

HS *x* **00** - *x* *x* *x*

PIPE THREAD SIZES

2 1/4"	6 1"
3 3/8"	7 1 1/4"
4 1/2"	8 1 1/2"
5 3/4"	

VOLTAGE AC

0 DC voltage	5 230-60 VAC
1 24-60 VAC	6 460-60 VAC
2 100-60 VAC	7 110-50 VAC
3 115-60 VAC	8 220-50 VAC
4 200-60 VAC	9 380-50 VAC

CONNECTION TYPE

- P** NPT
- J** British pipe thread

VOLTAGE DC

- 0** AC voltage
- 1** 12 VDC
- 2** 24 & 32 VDC
- 3** 48 VDC
- 4** 100 VDC
- 5** 125 VDC
- 6** 250 VDC